



# MG7GFTA777L

## MG7GFTA777L

Catalogo parti di ricambio valido  
dalla matricola 0000001 (31.10.2006) ad oggi (18.10.2024)

Catalogue pieces detachees  
valable à partir du numero de Série n. 0000001 (31.10.2006) jusqu'à aujourd'hui  
(18.10.2024)

Ersatzteilkatalog  
gültig ab Serien-Nr. 0000001 (31.10.2006) bis heute (18.10.2024)

Spare parts catalogue  
valid from serial no. 0000001 (31.10.2006) up today (18.10.2024)

Catálogo de peças de reposição  
válido do número de série 0000001 (31.10.2006) até hoje (18.10.2024)

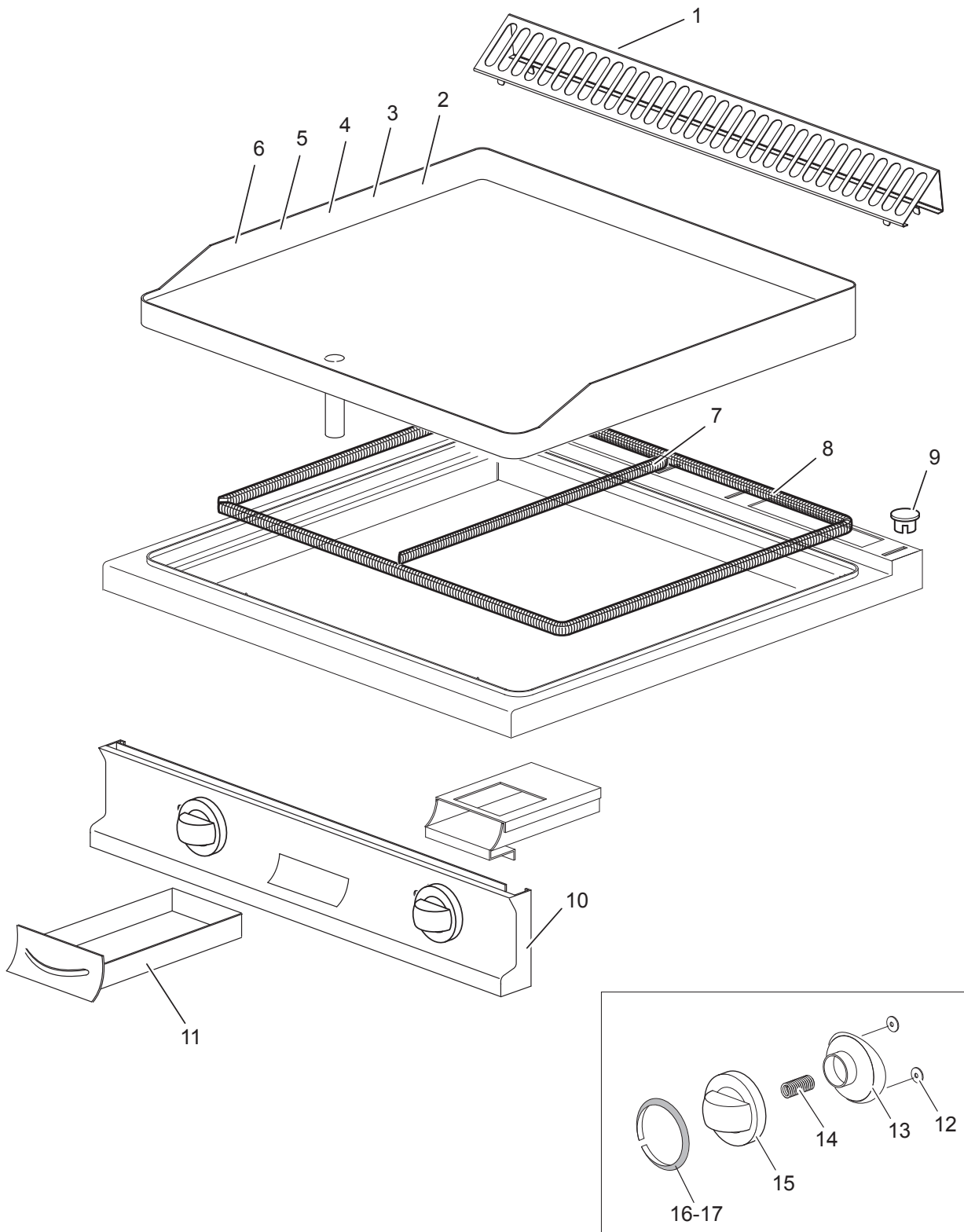
Le informazioni sono considerate non vincolanti. Le immagini rappresentate sono puramente indicative. Il produttore si riserva il diritto di apportare modifiche in qualsiasi momento senza preavviso.

Les informations données ne sont pas contraignantes. Les images montrées sont à titre indicatif. Le producteur se réserve le droit d'apporter des modifications sans préavis.

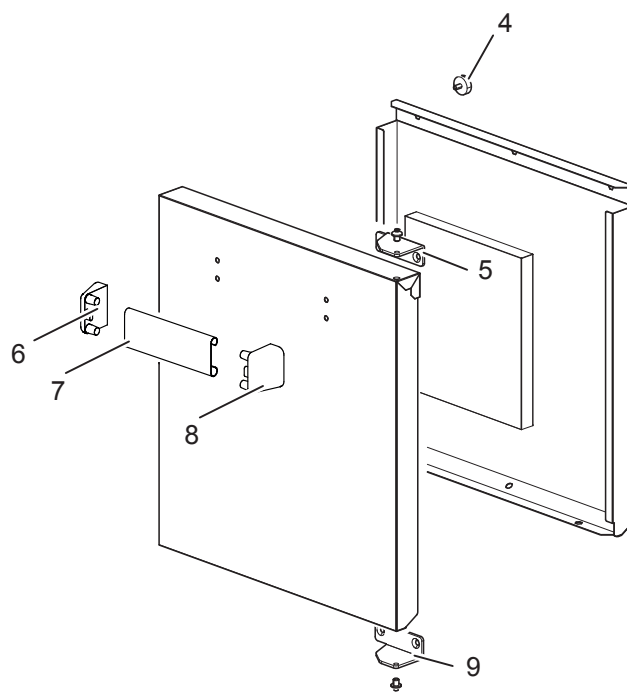
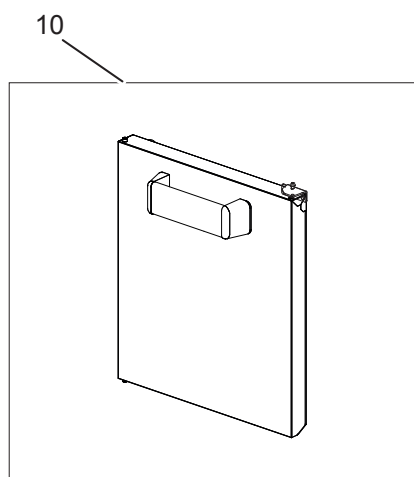
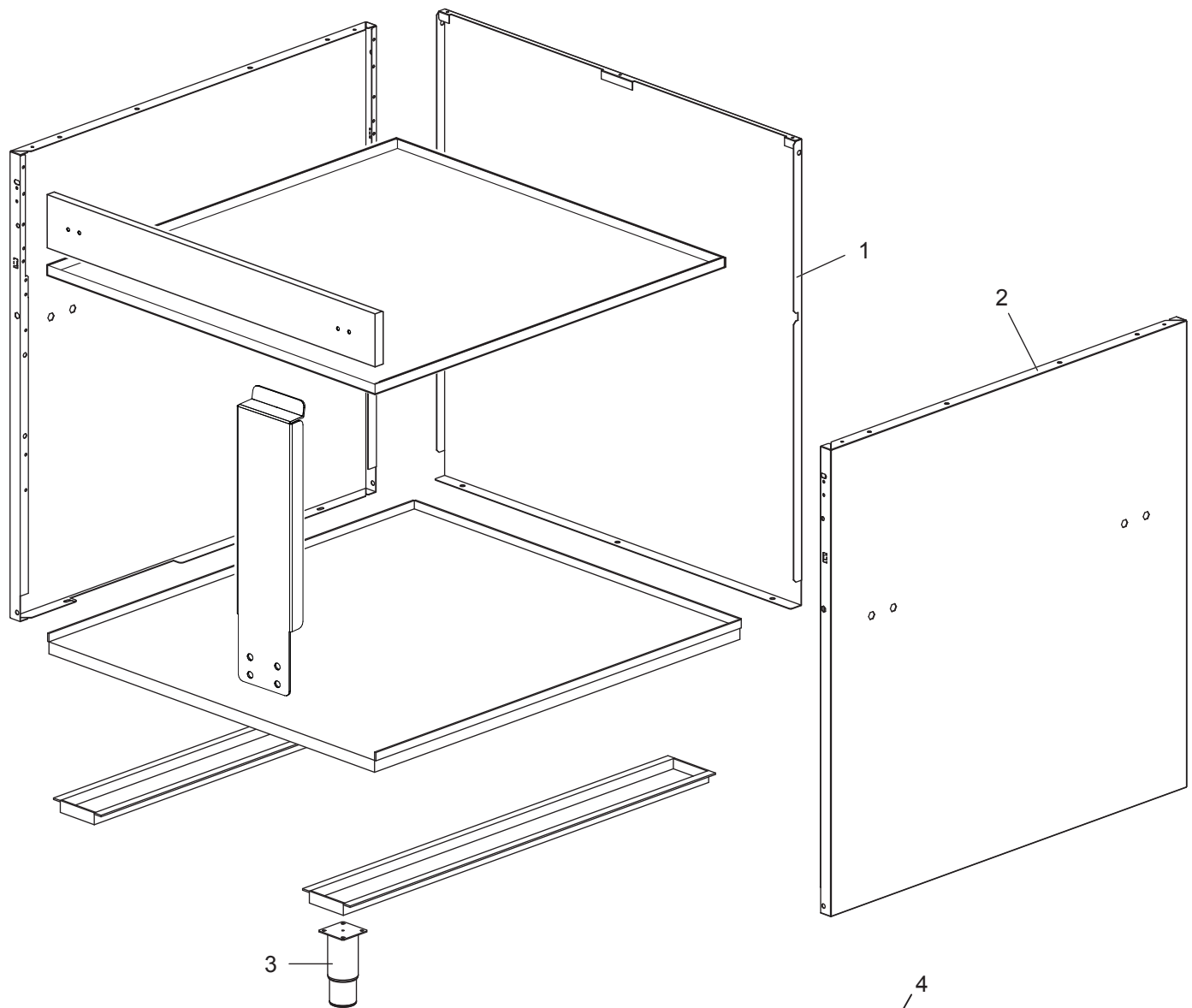
Die im vorliegenden Dokument aufgeführten Informationen und Bilder sind unverbindlich. Der Hersteller behält sich das Recht vor, jederzeit ohne vorherige Ankündigung Änderungen vorzunehmen

Info and drawing could be slightly different from reality and they cannot be considered as compelling. Manufacturer can modify info anytime without forewarning.

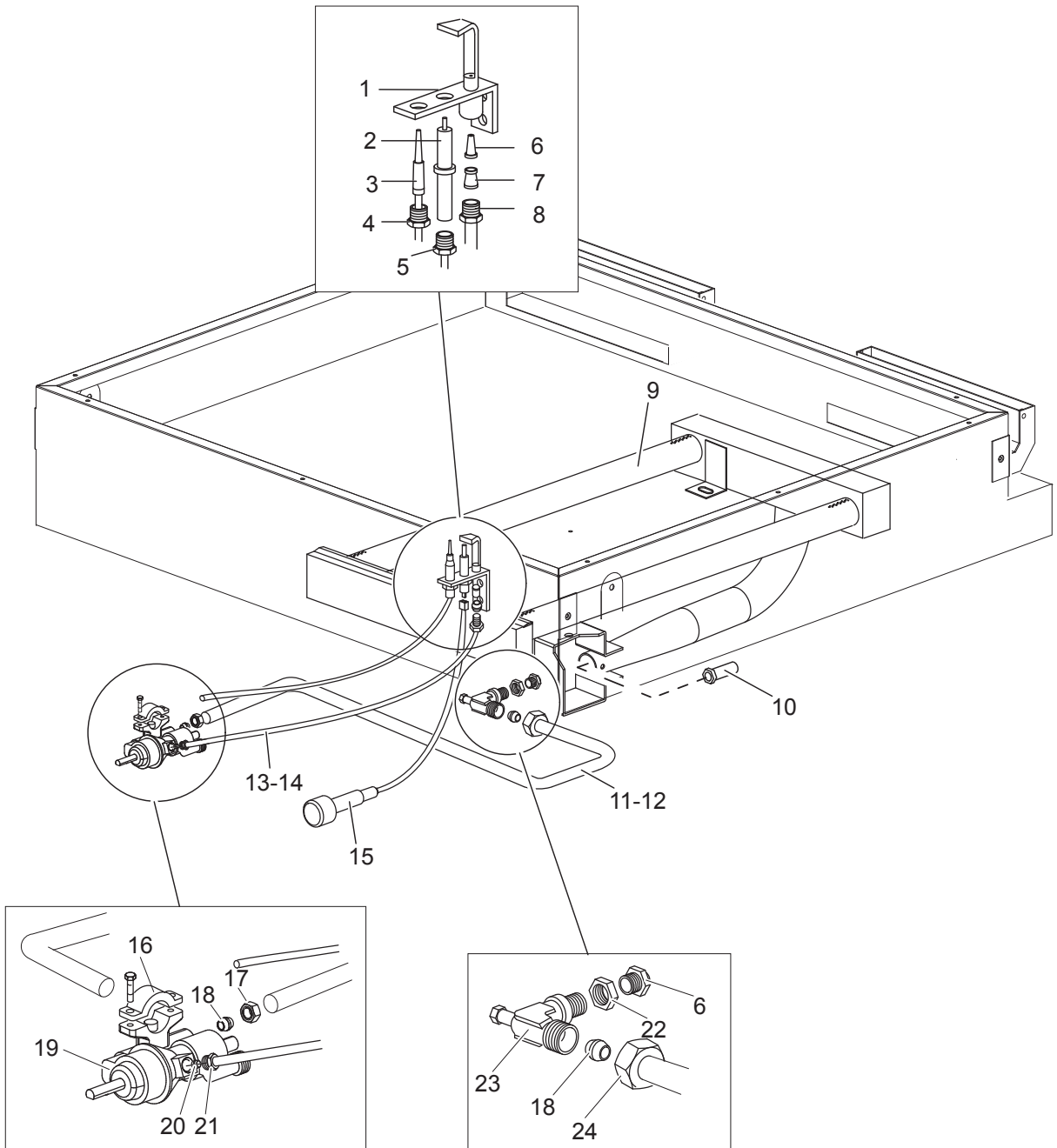
As Informações e desenhos podem estar um pouco diferente da realidade e são puramente indicativas. O fabricante pode modificar estas informações a qualquer momento sem aviso prévio.



<b>Nr.</b>	<b>Code</b>	<b>Title</b>	<b>Recommended</b>	<b>€</b>
1.	184977	CHIMNEY GRILL		138,37
2.	185795	FRY TOP SMOOTH HOB		1.236,58
3.	185796	HOB SMOOTH CHROMED		1.510,06
4.	185799	HOB STRIPED		1.505,79
5.	185801	SMOOTH RIBBED PLATE		-
6.	185802	SMOOTH RIBBED CHROMED PLATE		-
7.	163289	INSULATION		43,90
8.	163291	INSULATION		78,20
10.	174920	CONTROL PANEL		150,44
11.	RIC0004756	OIL DRAWER COMPLETE		131,83
15.	168867	BURNER KNOB	✓	5,87
16.	168512	THERMOSTAT RING	✓	19,48
17.	175327	THERMOSTAT RING 280°	✓	4,79



<b>Nr.</b>	<b>Code</b>	<b>Title</b>	<b>Recommended</b>	<b>€</b>
1.	167252	<i>BACK SIDE</i>		107,89
2.	173523	<i>LATERAL SIDE</i>		162,20
3.	RTCU700277	<i>FOOT</i>		53,62



<b>Nr. Code</b>	<b>Title</b>	<b>Recommended</b>	<b>€</b>
1. RTCP800034	SIT 1 WAY PILOT BURNER ( TARGET)	✓	22,94
2. RTCP800033	IGNITION PLUG ROUND 7X44 LENGHT 58 MM	✓	12,58
3. RTCU700296	THERMOCOUPLE	✓	8,58
4. RTCP800038	FIXING NUT FOR TARGET THERMOCOUPLE	✓	2,62
5. RTCU900215	FIXING NUT SIT FOR SPARK ELECTRODES	✓	4,07
6. INIETTORE	SEE HANDBOOK NOZZLES		-
7. RTCU800183	BICONE D.6 MM.11	✓	2,61
8. RTCU800182	NUT AC.D.6 BLACK HEIGHT 11 MM.	✓	5,29
9. RTCU700744	BURNER		345,80
10. RTCU700584	AIR REGULATOR BURNER 18X42		20,11
11. 173405	LEFT FEEDING PIPE FOR BURNER		16,87
12. 173406	RIGHT FEEDING PIPE FOR BURNER		16,87
13. 173407	LEFT BURNER PILOT PIPE		15,82
14. 173408	RIGHT BURNER PILOT PIPE		15,82
15. RIC0004096	PIEZO IGNITION + LIGHTING CABLE	✓	49,06
16. 167184	SAFETY VALVE BRIDLE	✓	3,33
17. RTCU700297	NUT D.10	✓	7,67
18. RTCU900012	BICONE	✓	2,94
19. 168005	THERMOSTATIC TAP 25ST FLANGE CONNETTION	✓	296,64
20. RTCU900018	BICONE D.6 MM.6	✓	3,27
21. RTCU900019	NUT D.6 HEIGHT 10,5 MM.	✓	5,48
22. RTCU900005	LOCK NUT		4,51
23. RTCU900337	INJECTOR SUPPORT		23,73
24. RTCU900013	NUT		4,51